

3 PIECES BALL VALVE WITH ISO MOUNTING PAD PN 63 PERFORMANCE RANGE BW

3 pieces stainless steel ball valve fully encapsulated bolts with full bore for Chemical industries, petrochemical industries, hydraulic installation, heating, water distribution, compressed air.

Fugitive emission according to TA LUFT for an excellent tightness on the stem and to prevent external leakage.

PTFE filled with carbon packing, Viton® O ring gasket and PTFE filled with stainless steel seat.

Compatible with explosive atmosphere, ATEX Zone 1&21 and Zone 2&22 thanks to the antistatic device.

Handling with locking device, on request possible with handwheel or stem extension.

Thanks to the ISO 5211 plate, an actuator can be installed directly on the valve.



Certificate
3.1



LRQA
PED/2014/68/UE



Size : DN8 to DN100

Connection : BW

Min Temperature : -30°C

Max Temperature : +220°C

Max Pressure : 63 Bars up to DN50, 40 Bars over

Specifications : ISO 5211 direct mounting pad

PTFE filled with Stainless steel seat

Anti blow-out stem, full bore

Fugitive emission TA LUFT

ATEX

Materials : Stainless steel EN 1.4408

3 PIECES BALL VALVE WITH ISO MOUNTING PAD PN 63 PERFORMANCE RANGE BW

SPECIFICATIONS :

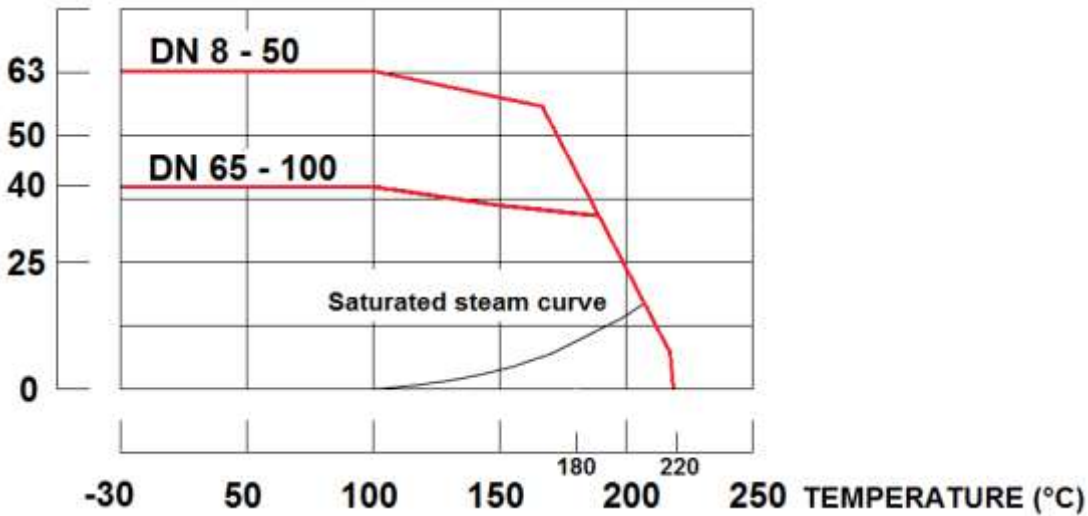
- Full bore
- Anti blow-out stem
- Special gland pack with elastic washer
- Antistatic device from DN8 to 32, double antistatic device (ball between body-stem and ball-stem) from DN40 to 100
- PTFE filled with stainless steel seat
- Locking device
- Blue handle cover possible
- ISO 5211 direct mounting pad

USE :

- Chemical and pharmaceutical industries, petrochemical industries, hydraulic installation, compressed air
- Steam : 18 bars maximum
- Vacuum : 10⁻² torr
- Min and max Temperature Ts : -30°C to + 220°C
- Max Pressure Ps : 63 bars up to DN50 and 40 bars over (see graph)

PRESSURE / TEMPERATURE GRAPH :

Pressure (Bar)



TORQUE VALUES (in Nm without safety coefficient) :

DN (mm)	8	10	15	20	25	32	40	50	65	80	100
NPS (")	1/4"	3/8"	1/2"	3/4"	1"	1"1/4	1"1/2	2"	2"1/2	3"	4"
Torque (Nm)	7.6	7.6	7.6	14.5	21	25	35	60	80	88	190

3 PIECES BALL VALVE WITH ISO MOUNTING PAD PN 63 PERFORMANCE RANGE BW
BOLT TIGHTENING TABLE (in Nm):

DN (mm)	8	10	15	20	25	32	40	50	65	80	100
NPS (")	1/4"	3/8"	1/2"	3/4"	1"	1"1/4"	1"1/2"	2"	2"1/2"	3"	4"
Torque (Nm)	6.9	6.9	6.9	9.8	9.8	11.8	15.7	20.6	54.9	73.5	94.1

FLOW COEFFICIENT Kvs (M3 / h) :

DN (mm)	8	10	15	20	25	32	40	50	65	80	100
NPS (")	1/4"	3/8"	1/2"	3/4"	1"	1"1/4"	1"1/2"	2"	2"1/2"	3"	4"
Kvs (m3/h)	17.2	21	31.3	57.9	94.3	157.9	227.9	414.8	720.2	1091	1754

RANGE :

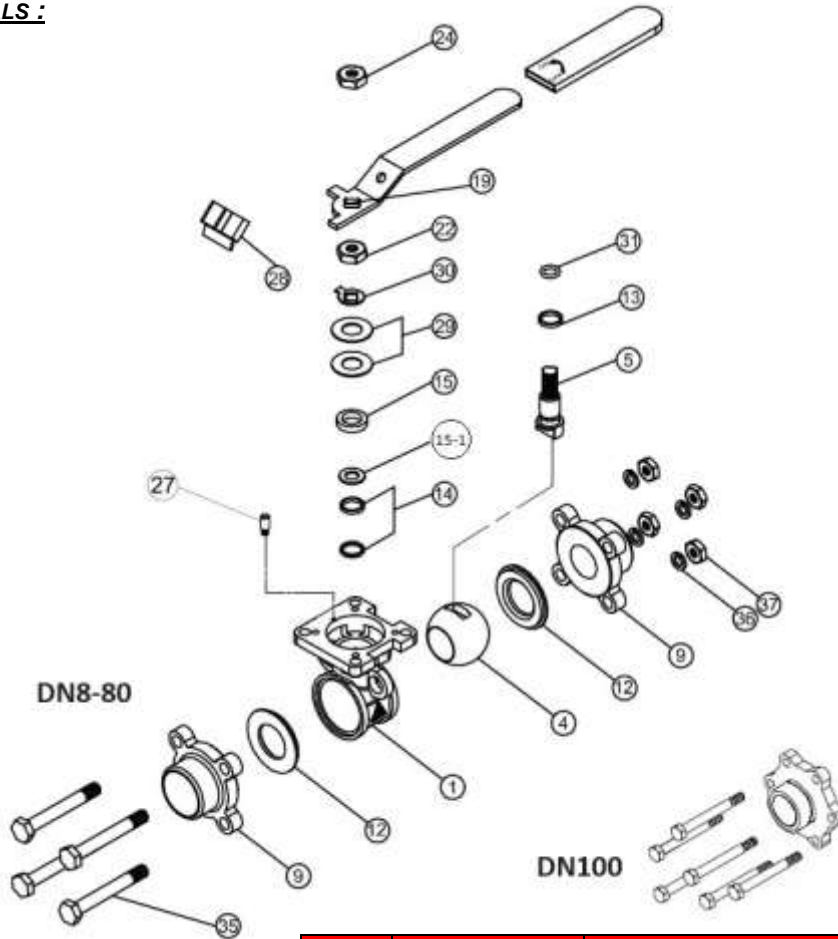
- 3 pieces stainless steel body valve Performance range B.W. ends **Ref. 748** from DN 8 to DN 100
- Blue handle cover **Ref. 9830432-9830436** from DN 8 to DN 100

CONNECTION :

- Butt welding ends

3 PIECES BALL VALVE WITH ISO MOUNTING PAD PN 63 PERFORMANCE RANGE BW

MATERIALS :



(* : included in gaskets kit)

Item	Designation	Materials
1	Body	EN 1.4408
4	Ball	ASTM A351 CF8M
5	Stem	AISI 316
9	Ends	EN 1.4408
12*	Seat	PTFE with 50% AISI 316
13*	Thrust washer	PTFE with 25% carbon
14*	Stem packing	
15-1*	Packing Follower	PTFE with 25% glass
15	Gland bush	AISI 304
19	Handle	
21	Handle cover	Vinyl
22	Stem nut	AISI 304
24	Handle nut	
27	Stop	
28	Locking device	
29	Elastic washer	AISI 301
30	Tab washer	AISI 304
31*	O-ring	Viton®
35	Body bolt	AISI 304
36	Bolt washer	
37	Bolt nut	

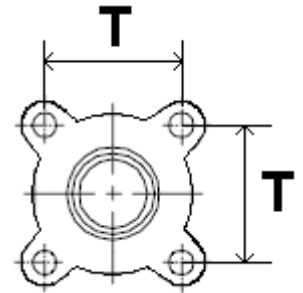
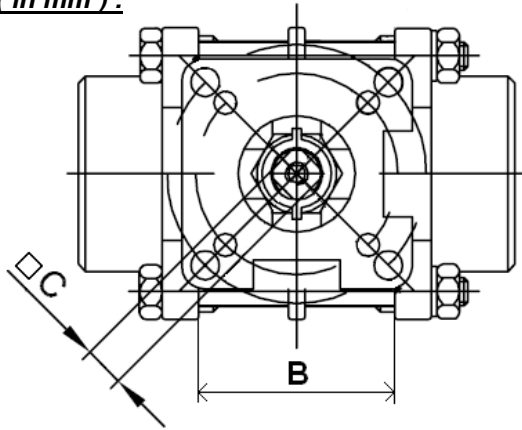
Repairability :



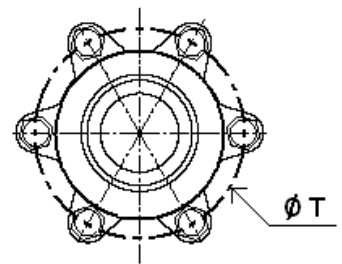
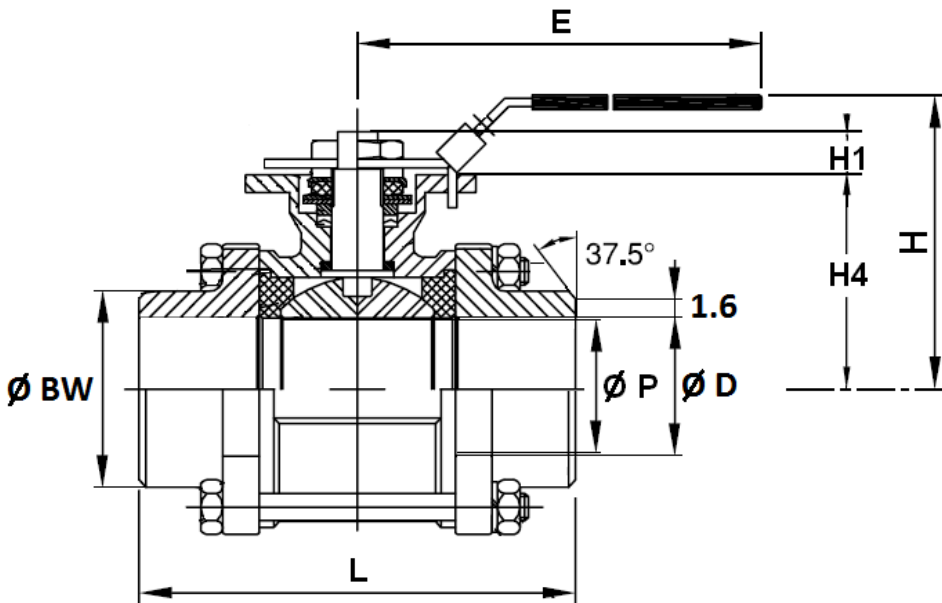
*Gaskets kit (Items 12, 13, 14, 15-1 and 31)	
DN	Ref.
DN8	9804081
DN10	9804082
DN15	9804083
DN20	9804084
DN25	9804085
DN32	9804086
DN40	9804087
DN50	9804088
DN65	9804089
DN80	9804090
DN100	9804091

3 PIECES BALL VALVE WITH ISO MOUNTING PAD PN 63 PERFORMANCE RANGE BW

SIZE (in mm) :

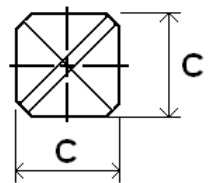


DN 8 – 80



DN 100

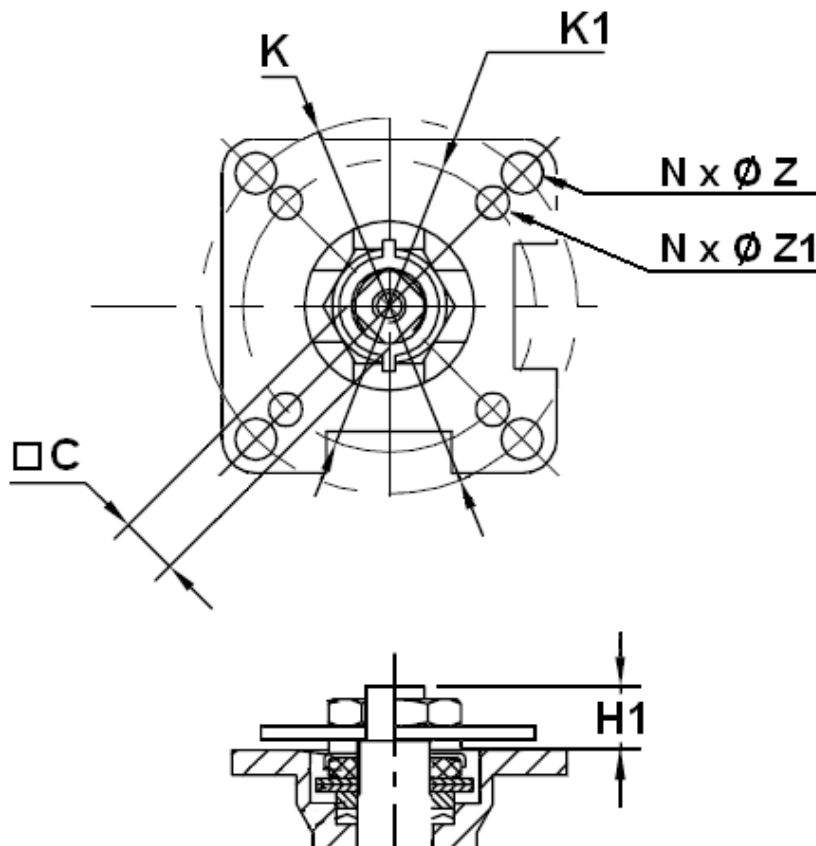
Stem Size :



DN (mm)	8	10	15	20	25	32	40	50	65	80	100
NPS (")	1/4"	3/8"	1/2"	3/4"	1"	1"1/4"	1"1/2"	2"	2"1/2"	3"	4"
Ø D	11	12.5	15.8	20.9	26.6	35.1	40.9	52.5	62.7	77.9	102.3
Ø P	11	12.5	15	20	25	32	38.1	50	62.7	77.9	100
L	63.5	63.5	63.5	72.5	81	94.5	108	121.5	157.5	190	225
B	22.5	22.5	22.5	27.5	34	42.5	52	63.5	85.5	102	128.5
E	112	112	112	112	136	185	197.9	197.9	267	267	322
H	73	73	73	80.8	90.5	98.7	115.3	124	155	164.5	216.7
H1	8.5	8.5	8.5	8.5	9.5	9.5	14	13.7	18	18	18
H4	37	37	37	45	53.5	59	74.8	83.5	108.8	118.3	153.8
C	9	9	9	9	9	9	14	14	17	17	17
T	31	31	31	35	41	49	59	71	91	107	195
Ø BW	13.7	17.1	21.3	26.7	33.4	42.2	48.3	60.3	73	88.9	114.3
Weight (in Kg)	0.55	0.58	0.57	0.71	1	1.56	2.5	3.6	7.6	10.98	21
Ref.	748008	748010	748015	748020	748025	748032	748040	748050	748065	748080	748100

3 PIECES BALL VALVE WITH ISO MOUNTING PAD PN 63 PERFORMANCE RANGE BW

ISO MOUNTING PAD AND STEM SIZE (in mm) :



DN (mm)	8	10	15	20	25	32	40	50	65	80	100
NPS (")	1/4"	3/8"	1/2"	3/4"	1"	1 1/4"	1 1/2"	2"	2 1/2"	3"	4"
C	9			14			17				
H1	8.5			9.5			14	13.7	18		
Ø K	50			70			102				
ISO	F05			F07			F10				
N x Ø Z	4 x 7			4 x 9			4 x 11				
Ø K1	36			50			70				
ISO 1	F03			F05			F07				
N x Ø Z1	4 x 6			4 x 7			4 x 9				



3 PIECES BALL VALVE WITH ISO MOUNTING PAD PN 63 PERFORMANCE RANGE BW

STANDARDS :

- Manufacturer certified ISO 9001 : 2015
- DIRECTIVE 2014/68/EU: For liquids or Gas of Group 1
 - DN8-DN25: Article 4, §3 (SEP), no CE marking
 - DN32-DN100: Risk category II, CE0343 or CE0038 marking
- Certificate 3.1 on request
- Construction according EN 12516
- Designing according to ASME B16.34
- Pressure tests according to EN 12266-1, rate A
- B.W. ends according to ASME B36.10 Schedule 40
- ISO 5211 mounting pad
- ATEX Group II Category 2 G/2D Zone 1 & 21 Zone 2 & 22 (optional marking) according directive 2014/34/EU
- Tightness on stem according to TA LUFT VDI 2440/3.3.1.3

ADVICE : Our opinion and our advice are not guaranteed and SFERACO shall not be liable for the consequences of damages.
The customer must check the right choice of the products with the real service conditions.